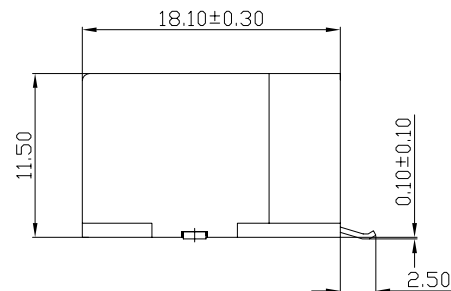
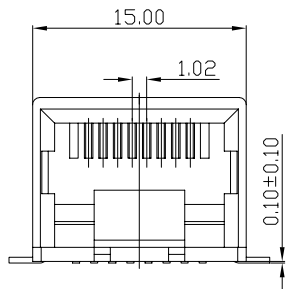


REV	ECN NO.	DATE



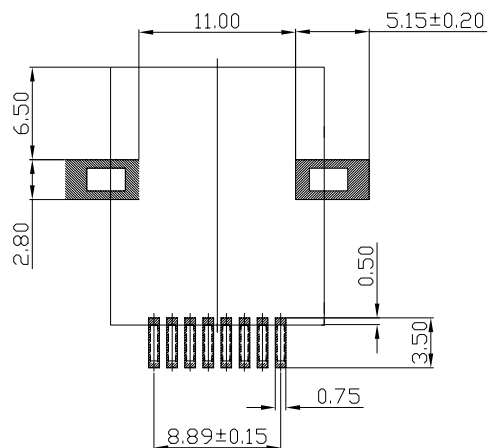
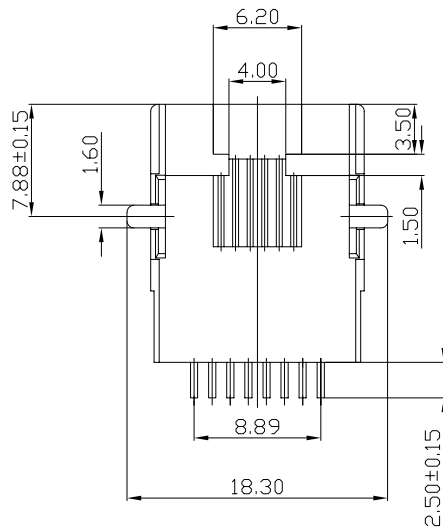
NOTES

- MATERIAL
- 1. HOUSING MATERIAL : HIGH TEMP THERMOPLASTIC
FLAMMABILITY RATING UL94V-0.
 - 2. CONTACT MATERIAL : PHOSPHOR BRONZE T=0.3mm.
 - 3. PLATING : GOLD LATING OVER NICKEL IN CONTACT
TIN PLATING OVER NICKEL IN SOLDER AREA.
: 3U", 6U", 15U", 30U", 50U".

- ELECTRICAL
- 1. VOLTAGE RATING : 125 VAC RMS.
 - 2. CURRENT RATING : 1.5 AMP.
 - 3. CONTACT RESISTANCE : 30 MILLIOHMS MAX.
 - 4. INSULATION RESISTANCE : 500 MEGOHMS MIN @ 500V DC .
 - 5. DIELECTRIC DIELECTRIC RESISTANCE : 1000V AC RMS 50Hz. 1MIN.

- MECHANICAL
- 1. DURRABILITY : 750 CYCLES MIN.
 - 2. PCB RETENTIONPRE-SOLDER : 1 LB MIN.

- ENVIRONMENTAL:
- 1. STORAGE : -40°C~+85°C.
 - 2. OPERATION : 0°C~+70°C.



PCB LAYOUT

RoHS Compliant

TOLERANCES 公差		DATE 日期	2011-03-11		Coorle 库乐科技			
mm .0± 0.30 ±		MATERIAL 材质						
.00± 0.25 ±		FINISH 电镀			PART NO. 料号			
.000± 0.10 ±		SCALE 比例	1:1	UNIT 单位	mm	SIZE 料号		A4
ANGLES ± 1°		THIRD ANGLE PROJECTION		Designed 设计	张旺新	Checked 审核	10	Approved 核准
						SHEET 1 OF 1		